

DATASHEET

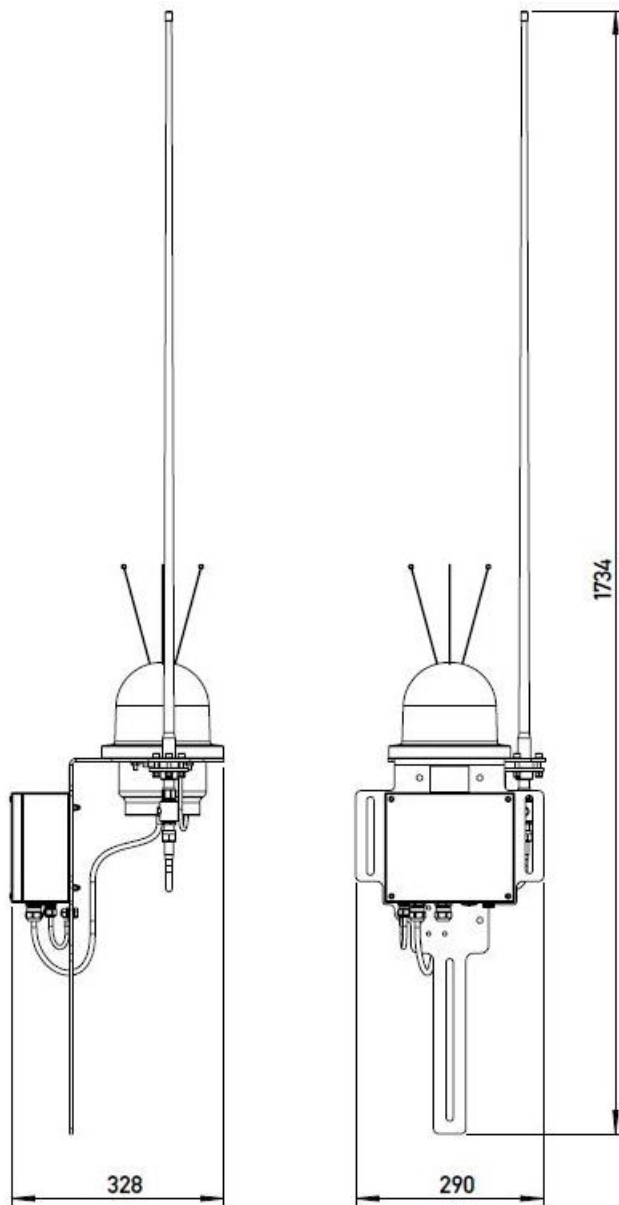
ORIGINALNAi AIS-KIT-NAI-T3

- **Automatic Identification System (AIS) Type 3 (transmit)**
- **Position reporting of navigational aids and obstacles to navigation (message 21) selectable**
- **Support for x10 virtual AtoN**
- **Seamless integration onto the Sabik Offshore NAI bus**
- **Easy mounting and simple electrical connection**
- **Low power consumption**

The AIS-KIT-NAI-T3 combines the SRT AIS with the Sabik Offshore NAI system. A stainless-steel junction box allows for superior performance against corrosion in harsh offshore environments.

Seamless integration into the Sabik Offshore NAI system allows for accurate monitoring and simple electrical connection. The AIS includes an integrated GPS antenna and external VHF antenna.

Dimensions & Weight

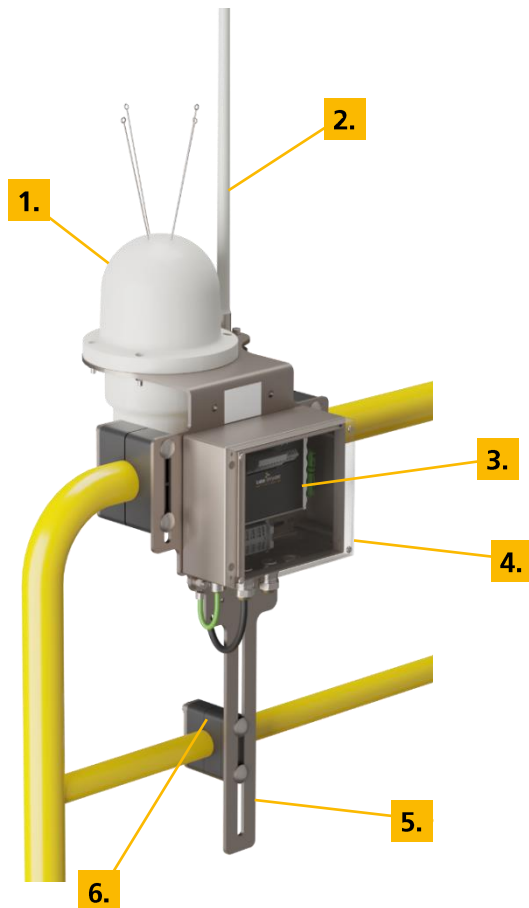


Width	290 mm
Edge length junction box	200 mm
Height	1734 mm
Weight	12 kg

Material

Housing Junction Box	Stainless steel 316 L / 1.4404
Bracket	Stainless steel 316 L / 1.4404
Cable Gland	Nickel-plated copper

Components



- 1. AIS made for Sabik Offshore by SRT with integrated GPS antenna
- 2. VHF Antenna
- 3. IO-Module
- 4. Junction Box
- 5. Adjustable bracket
- 6. Project Specific Rail Mounting Clamps (Sold Separately)

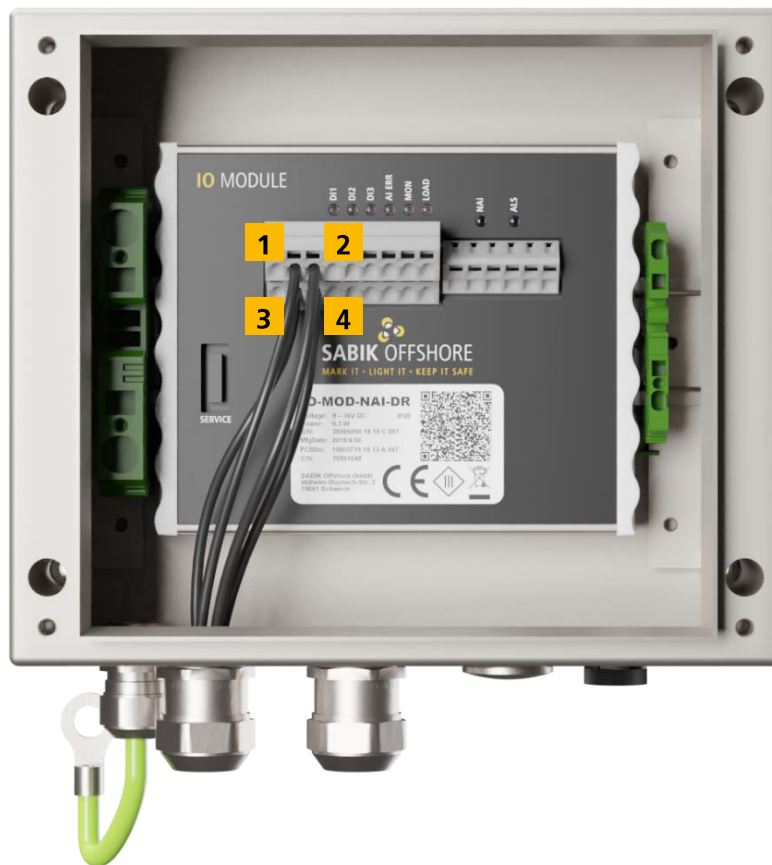
Note: The AIS-KIT-NAI-T3 must be fastened to the railing with three Stauff tube clamps of the heavy series (DIN 3015 part 2), size 4 – 6 (project specific).

Note: All housing components including the cable glands satisfy the IP67 degree of protection requirements according to IEC 60529. During connection and assembly, ensure that no moisture or dirt penetrates into the open socket.

	Size	For cable diameter	Key width
EMC Cable Gland	M20 x 1.5	8.0 – 15.0 mm	24 mm

Electrical Connection

Electrical connection	Spring terminal block, max. 2.5 mm ²
Operating voltage V_{IN}	DC 24.0 V (-25 % / +25 %)
Power consumption (average) (RATMA, Msg#21, 3 minute intervals)	0.85 W



1	VPI	Power supply input (Positive)
2	VN	Power supply input (Negative)
3	DP	NAi data (Positive)
4	DN	NAi data (Negative)

Environmental Conditions

Ambient temperature (operation)	-25 °C to 55 °C
Ambient temperature (storage / transport)	-40 °C to 70 °C
Humidity (operation / storage / transport)	95 % r.h. up to 45 °C 70 % r.h. for T > 45 °C
Degree of protection acc. to IEC 60529	IP67
Lightning protection zone (acc. to IEC 62305-4:2010)	LPZ0 _B

Electrical Safety and Health

Protection	Class III
Overvoltage protection	Class III
Pollution degree	3

VHF Transceiver

Transmitter	x 1
Receiver	x 2
Frequency	156.025 MHz to 162.025 MHz in 25 kHz steps
Output Power	1 W

GPS-Receiver and Antenna*

Channels	50
IEC 61108-1	Compliant
GPS antenna	Internal

* Taken from the SRT Marine Carbon AIS datasheet (Carbon AIS_ATON_V_2.02_May_14)

Compliance

EMC Compliance	EN 60945:2002, category "exposed" IEC 62320-2:2008 _A IEC 61108-1:2003 _A
Environmental	EN 60945:2002, category "exposed" IEC 61892-1:2019
Product Safety	IEC 60950-1:2006 + A2:2013 _A EN 60945:2002, category "exposed"
Health	IEC 62311:2008 _A
Mechanical	IEC 62320-2:2008* IEC 61097-14:2010*

* Taken from the SRT Marine Carbon AIS datasheet (Carbon AIS_ATON_V_2.02_May_14)

Ordering Information

Item Number	Product ID
30 03 30 06	AIK-KIT-NAI-T3